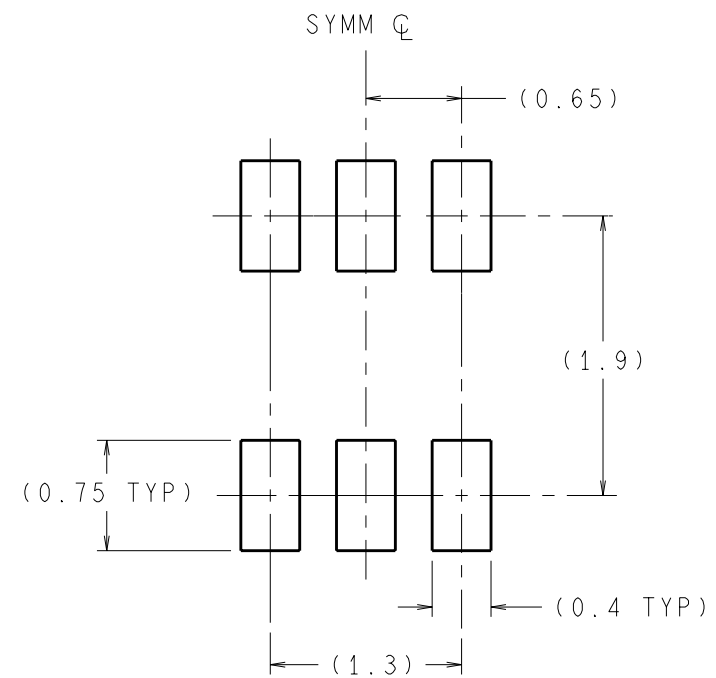
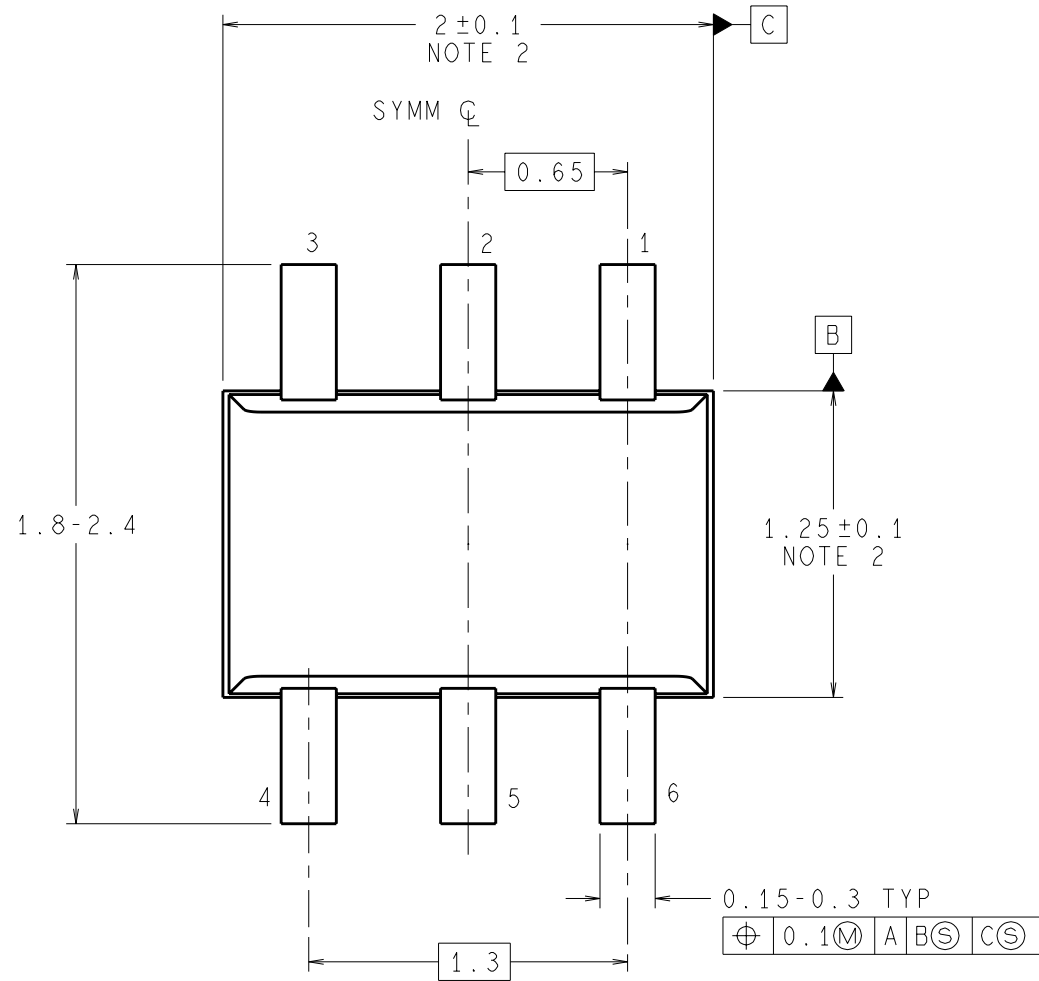
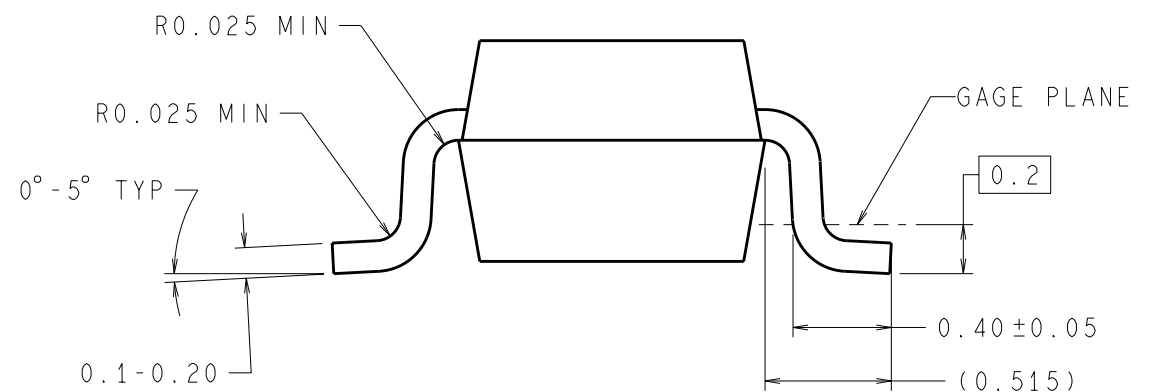
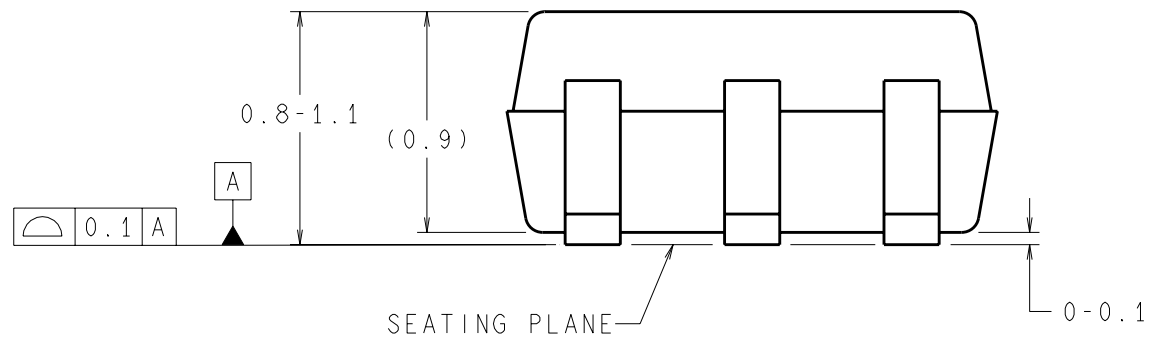


REVISIONS				
LTR	DESCRIPTION	E.C.N.	DATE	BY/APP'D
A	RELEASE TO DOCUMENT CONTROL	321	10/26/2001	AS/TL/JJY



LAND PATTERN RECOMMENDATION



DIMENSIONS ARE IN MILLIMETERS

NOTES: UNLESS OTHERWISE SPECIFIED

- STANDARD LEAD FINISH TO BE 5.08 MICROMETERS MINIMUM LEAD/TIN (SOLDER) ON ALLOY 42.
- DIMENSION DOES NOT INCLUDE MOLD FLASH.

APPROVALS	DATE	 National Semiconductor 2900 Semiconductor Dr., Santa Clara, CA 95052-8090
DRAWN AFZMZAM S.	10/26/2001	
DFTG. CHK. THANH LEQUANG	10/26/2001	
ENGR. CHK. JJ YEOH	10/26/201	MOLDED PACKAGE, SC70, 2 X 1.25 X 0.9mm, 6 LEAD, 0.65mm PITCH
		SCALE: N/A SIZE: C DRAWING NUMBER: (SC)MKT-MAA06A REV: A
DO NOT SCALE DRAWING		SHEET 1 of 1